



RIGHT QUALITY
RIGHT PRICE
RIGHT AWAY

Air Disc Brake Pad and Rotor Replacement Guide



www.goldlinequalityparts.com

GOLD LINE™

QUALITY PARTS



Call 800-876-3929

Canada 519-537-3494

www.goldlinequalityparts.com

RIGHT QUALITY · RIGHT PRICE · RIGHT AWAY

powered by **SAF**Holland

Table of Contents

GLOBAL STANDARDS 3

AIR DISC BRAKE PADS 5

AIR DISC BRAKE PAD CROSS REFERENCES 6

AIR DISC BRAKE PAD BY PART 7

AIR DISC BRAKE ROTORS 20

AIR DISC BRAKE ROTOR TESTING 21

AIR DISC BRAKE ROTOR CROSS REFERENCES 22

AIR DISC ROTORS BY PART 23

GLOBAL STANDARDS

The Gold Line Quality Parts™ Air Disc Brake Pad and Rotor program brings Global Standards to the North American Commercial Vehicle Market

Quality Systems

ISO 9001 – All our Friction and Rotor replacement parts are made at ISO 9001 certified manufacturing facilities. ISO9001 requires the ability to consistently provide products and services that meet our customer and applicable statutory and regulatory requirements.

TS16949 - Gold Line Quality Parts™ supplier plants are also certified to TS16949, the global standard for Original Equipment manufacturing. Our replacement pads and rotors are built with to meet the highest standards and qualifications.

Engineering and Testing

The Gold Line Quality Parts™ Pad and Rotor line has its roots in Europe and employs rigorous test protocols to include testing for Integrity, Performance and Wear.

Incorporated in our development and test regimen are:

ISO 26866 - A test of Life Cycle Wear of nearly 5000 stops and 8 days in duration. ISO 26866 pushes the limits of both pad and rotor performance and durability using a range of both temperatures and speeds.

ISO 6312:2010 Shear Testing - a critical attribute of Air Disc Brake Pads
Our retention systems provides bond strength and material retention that exceeds the OE standards of North America and the requirements for the European market

Compliance

ECE R90 - The European Standard which ensures that Brake Pads and more recently Brake Discs manufactured for the aftermarket comply with R90 standards. In order to meet these standards the Brake Disc must be put through a series of tests and perform to similar levels as the Original Equipment part.

ECE R90 covers three key areas:

Performance - ECE R90 stipulates that replacement parts comply with European braking requirements for performance, fade and hot performance and that their performance is within 15% of that of the OE product.

Production - Factory Approval is part of the R90 process which involves engineers inspecting and accrediting the factory manufacturing the product before approval.

Packaging/Markings - Pads must be properly packaged in sealed, tamper-proof boxes, bearing a label displaying application, approval number and an illustration of the contents. A full set of fitting instructions must be enclosed.



FMVSS 121 - The government compliance test in the United States and Canada (CMVSS121) for Commercial Vehicle air brake systems. This standard is requirement for Original Equipment and demanded by Gold Line Quality Parts™.

Our friction materials **GL 330** and **GL 350** exceed the FMVSS 121 requirement for fade, recovery and hot stop, giving the customer assurance the our replacement materials will deliver the essential performance and stopping power.

COMMERCIAL VEHICLE
AIR DISC BRAKE PADS



Gold Line Quality Parts™ leverages its global position to partner with leading manufacturers of braking and friction components for the heavy duty and commercial vehicle industries around the world.

With key suppliers located in strategic countries around the world and an excellent distribution network in North America, including multiple PDCs (Parts Distribution Centers), we are able to deliver braking and friction components of the Right Quality, at the Right Price, Right away!

DISC BRAKE PADS

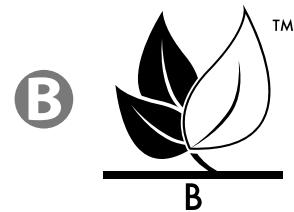
Understanding that brake replacement parts are expected to perform at high levels even in today's tough transportation environments, Gold Line Quality Parts™ disc brake pads have been engineered to deliver consistent, reliable braking performance to satisfy the most demanding operations.

FRICION MATERIAL

The North American CV Disc Brake Market requires multiple friction offerings. The Class 8 tractor trailer, with its lighter rated axles and typically long periods between stops requires vastly different friction capabilities to a Transit or Vocational application that runs at heavy axle ratings and frequent stops. The Gold Line Quality Parts™ range of products includes materials for every application, including specialty applications.

GLQ330 is an outstanding heavy vehicle disc pad friction material with a low metallic, organic base. Designed to operate in premium trailer and premium truck applications. **FMVSS-121 certified at 23,000 axle rating.**

GLQ330 is a fully-molded asbestos free formulation with rating "GG". The material is compliant with the US Better Brakes Law until 2025.



GLQ350 is our flagship high demand, high inertia disc pad material for city-bus and super duty applications. Low metallic, organic in base and ideally suited for applications where two piece rotors feature. **FMVSS-121 certified at 26,000 and above axle rating**

GLQ350 is a fully-molded asbestos free formulation with rating "FF". The material is compliant with the US Better Brakes Law until 2021.



LEAF MARKING

New regulations in California and Washington require the phasing out of copper and other metals potentially harmful to the environment from brake friction formulations.

As a result, these regulations, while currently limited to two states, are affecting all vehicle service providers across North America as the friction industry shifts to low- and zero-copper formulations in all regions.

A, B and N — three new compliance designations from the Automotive Aftermarket Suppliers Association (AASA).

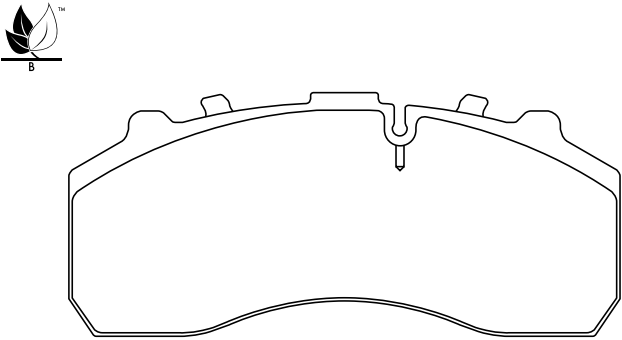
DISC BRAKE PAD CROSS REFERENCES

Goldline Part	FMSI Number	WVA	Caliper	Cross References
G0571203330	8323 D1203	29087	Knorr SB7000	Bendix 802593, Knorr OR760, Meritor MMD1203AF
G0571203350	8323 D1203	29087	Knorr SB7000	Bendix 802593, Knorr OR760, Meritor MMD1203AF
G0571310330	8425 D1310	29131	Meritor D-ELSA 2	Meritor 68324558, 68324957, 68325344, 68325346, 68325901, 68326015, MDP-5060, MMD1310AF
G0571310350	8425 D1310	29131	Meritor D-ELSA 2	Meritor 68324558, 68324957, 68325344, 68325346, 68325901, 68326015, MDP-5060, MMD1310AF
G0571311330	8426 D1311	29187	Meritor EX225 H2	Meritor 2252H2CD, 3222-F-2467, Kit2252H2BE, Kit2252H2CD, Kit2252H2DA, MMD1311AF
G0571311350	8426 D1311	29187	Meritor EX225 H2	Meritor 2252H2CD, 3222-F-2467, Kit2252H2BE, Kit2252H2CD, Kit2252H2DA, MMD1311AF
G0571312330	8427 D1312	29090	Meritor D-LISA	Meritor 68932068N2P, MDP5019, MDP5025, MDP5042, MDP5061, MMD1312AF
G0571312350	8427 D1312	29090	Meritor D-LISA	Meritor 68932068N2P, MDP5019, MDP5025, MDP5042, MDP5061, MMD1312AF
G0571323330	8435 D1323	29188	Meritor EX225 H3	Meritor Kit225H3BE, Kit225H3CE, MMD1323AF
G0571323350	8435 D1323	29188	Meritor EX225 H3	Meritor Kit225H3BE, Kit225H3CE, MMD1323AF
G0571369330	8479 D1369	29158	Knorr SK7000; Bendix ADB225	Bendix 802078, K070796, Meritor MMD 1369AF
G0571369350	8479 D1369	29158	Knorr SK7000; Bendix ADB225	Bendix 802078, K070796, Meritor MMD 1369AF
G0571370330	8480 D1370	29189	Meritor EX225 L2	Meritor Kit2252L2CD, MMD1370AF
G0571370350	8480 D1370	29189	Meritor EX225 L2	Meritor Kit2252L2CD, MMD1370AF
G0571407330	8515 D1407	29030	Meritor D-Elisa 1	Meritor 68325023, 68325166, 68325011, MMD1407AF
G0571407350	8515 D1407	29030	Meritor D-Elisa 1	Meritor 68325023, 68325166, 68325011, MMD1407AF
G0571438330	8556 D1438F	29159	Wabco PAN19	Meritor MMD1428AF, Mack 261112999747VT
G0571438350	8556 D1438F	29159	Wabco PAN19	Meritor MMD1428AF, Mack 261112999747VT
G0571441330	8577 D 1441	29120	Bendix ESD225	Bendix 976003N
G0571441350	8577 D 1441	29120	Bendix ESD225	Bendix 976003N
G0571518330	8727 D1518	29088	Wabco PAN17	Meritor MMD1518AF, Mack Truck 21112999703VT
G0571518350	8727 D1518	29088	Wabco PAN17	Meritor MMD1518AF, Mack Truck 21112999703VT
G0571525330	8733 D1525	29124	Meritor DX195	Meritor 15224835, 15224835A
G0571525350	8733 D1525	29124	Meritor DX195	Meritor 15224835, 15224835A
G0571526330	8734 D1526	29150	Meritor DX225	Meritor MMD1526 AF
G0571526350	8734 D1526	29150	Meritor DX225	Meritor MMD1526 AF
G0571527330	8735 D1527	29143	Haldex DB22	Haldex 79022008, 79022031, 91567, Meritor MMD1527AF
G0571527350	8735 D1527	29143	Haldex DB22	Haldex 79022008, 79022031, 91567, Meritor MMD1527AF
G0571560330	8771 D1560	29125	Meritor D-DUCO	Meritor MMD1560AF
G0571560350	8771 D1560	29125	Meritor D-DUCO	Meritor MMD1560AF
G0571690330	8917 D1690	N/A	Meritor EX225H2	Meritor 322-E-2605, Kit2252H2BA, MMD1690AF
G0571690350	8917 D1690	N/A	Meritor EX225H2	Meritor 322-E-2605, Kit2252H2BA, MMD1690AF
G0571708330	8931 D1708	29174	Meritor ELSA 225-3	Volvo 21024702, Meritor MMD1708AF
G0571708350	8931 D1708	29174	Meritor ELSA 225-3	Volvo 21024702, Meritor MMD1708AF
G0571777330	8253 D1777	29162	Wabco PAN22	Hendrickson MAXX 22, Hendrickson S-32676-1, S-35305-1, Wabco 12 999 797
G0571777350	8253 D1777	29162	Wabco PAN22	Hendrickson MAXX 22, Hendrickson S-32676-1
G0579253330	N/A	29253	Knorr Protec SB7000	Bendix K109249
G0579253350	N/A	29253	Knorr Protec SB7000	Bendix K109249

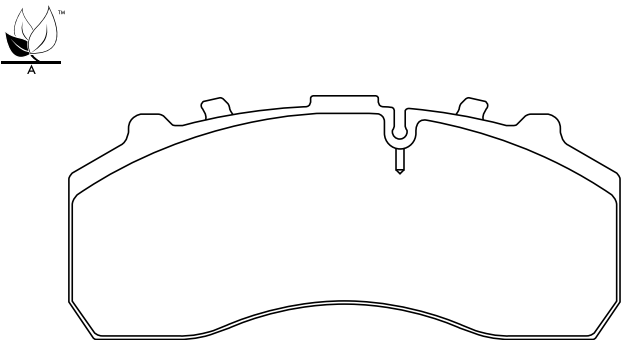
DISC BRAKE PADS

Order Number G0571203330

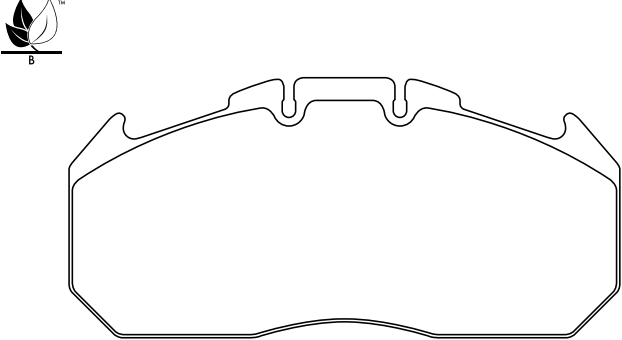
DISC BRAKE PADS

Detail	Disc Pad Shape
<p>FMSI Number 8323 D1203</p> <p>WVA Number 29087</p> <p>Duty Cycle STANDARD 'Over The Road'</p> <p>Friction Material GLQ330</p> <p>Brake System Knorr SB7000</p> <p>Hardware Kit Hardware kit included</p>	<p>Width 247.5mm / 9.74"</p> <p>Height 109.5mm / 4.31"</p> <p>Thickness 30mm / 1.18"</p> <p>Cross References Bendix 802593, Knorr OR760, MMD1203AF</p> 

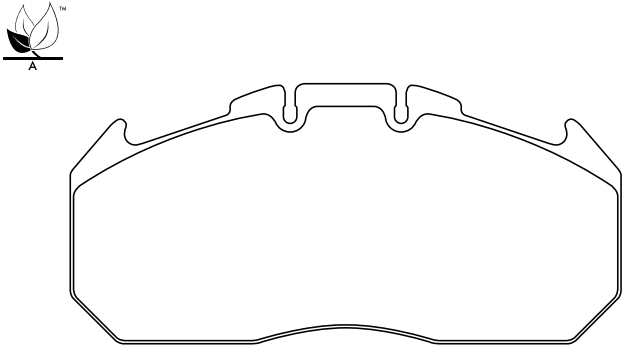
Order Number G0571203350

Detail	Disc Pad Shape
<p>FMSI Number 8323 D1203</p> <p>WVA Number 29087</p> <p>Duty Cycle HEAVY 'OTR/Vocational'</p> <p>Friction Material GLQ350</p> <p>Brake System Knorr SB7000</p> <p>Hardware Kit Hardware kit included</p>	<p>Width 247.5mm / 9.74"</p> <p>Height 109.5mm / 4.31"</p> <p>Thickness 30mm / 1.18"</p> <p>Cross References Bendix 802593, Knorr OR760, MMD1203AF</p> 

Order Number G0571310330

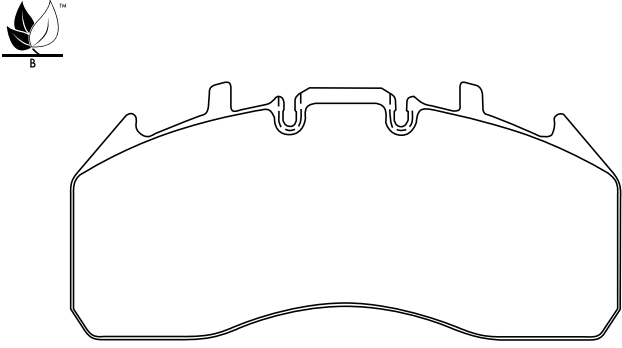
Detail	Disc Pad Shape
<p>FMSI Number 8425 D1310</p> <p>WVA Number 29131</p> <p>Duty Cycle STANDARD 'Over The Road'</p> <p>Friction Material GLQ330</p> <p>Brake System Meritor D-ELSA 2</p> <p>Hardware Kit Hardware kit included</p>	<p>Width 249.5mm / 9.82"</p> <p>Height 118.2mm / 4.65"</p> <p>Thickness 29.8mm / 1.17"</p> <p>Cross References Meritor 68324558, 68324957, 68325344, 68325346, 68325901, 68326015, MDP-5060, MMD1310AF</p> 

Order Number G0571310350

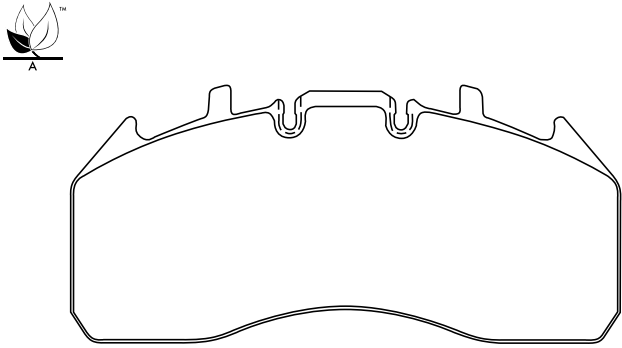
Detail		Disc Pad Shape
<p>FMSI Number 8425 D1310</p> <p>WVA Number 29131</p> <p>Duty Cycle HEAVY 'OTR/Vocational'</p> <p>Friction Material GLQ350</p> <p>Brake System Meritor D-ELSA 2</p> <p>Hardware Kit Hardware kit included</p>	<p>Width 249.5mm / 9.82"</p> <p>Height 118.2mm / 4.65"</p> <p>Thickness 29.8mm / 1.17"</p> <p>Cross References Meritor 68324558, 68324957, 68325344, 68325346, 68325901, 68326015, MDP-5060, MMD1310AF</p>	

DISC BRAKE PADS

Order Number G0571311330

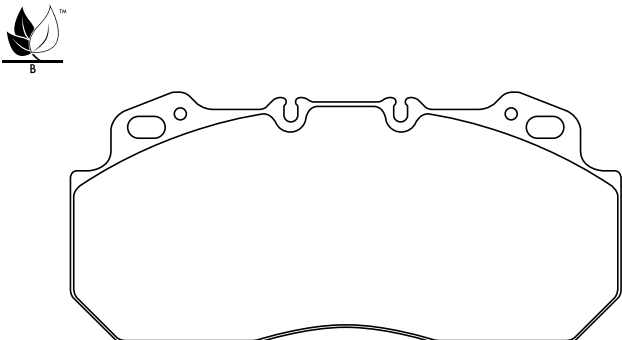
Detail		Disc Pad Shape
<p>FMSI Number 8426 D1311</p> <p>WVA Number 29187</p> <p>Duty Cycle STANDARD 'Over The Road'</p> <p>Friction Material GLQ330</p> <p>Brake System Meritor EX225 H2</p> <p>Hardware Kit Hardware kit included</p>	<p>Width 247.4mm / 9.74"</p> <p>Height 116.19mm / 4.57"</p> <p>Thickness 28.8mm / 1.13"</p> <p>Cross References Meritor 2252H2CD, 3222-F-2467, Kit2252H- 2BE, Kit2252H2CD, Kit2252H2DA, MMD1311AF</p>	

Order Number G0571311350

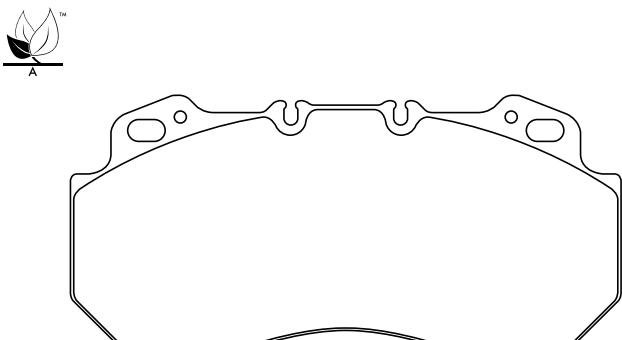
Detail		Disc Pad Shape
<p>FMSI Number 8426 D1311</p> <p>WVA Number 29187</p> <p>Duty Cycle HEAVY 'OTR/Vocational'</p> <p>Friction Material GLQ350</p> <p>Brake System Meritor EX225 H2</p> <p>Hardware Kit Hardware kit included</p>	<p>Width 247.4mm / 9.74"</p> <p>Height 116.19mm / 4.57"</p> <p>Thickness 28.8mm / 1.13"</p> <p>Cross References Meritor 2252H2CD, 3222-F-2467, Kit2252H- 2BE, Kit2252H2CD, Kit2252H2DA, MMD1311AF</p>	

Order Number G0571312330

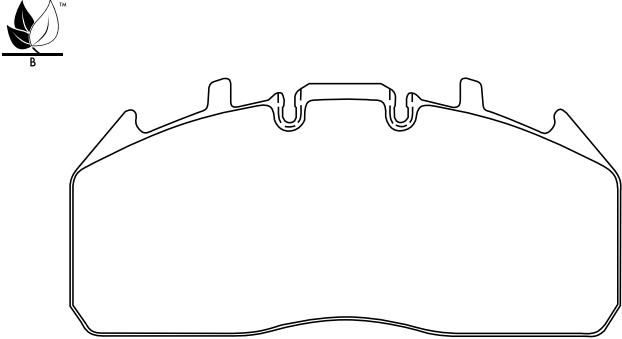
DISC BRAKE PADS

Detail	Disc Pad Shape
<p>FMSI Number 8427 D1312</p> <p>WVA Number 29090</p> <p>Duty Cycle STANDARD 'Over The Road'</p> <p>Friction Material GLQ330</p> <p>Brake System Meritor D-LISA</p> <p>Hardware Kit Hardware kit included</p>	<p>Width 249.6mm / 9.82"</p> <p>Height 114.5mm / 4.50"</p> <p>Thickness 18.2mm / 0.71"</p> <p>Cross References Meritor 68932068N2P, MDP5019, MDP5025, MDP5042, MDP5061, MMD1312AF</p> 

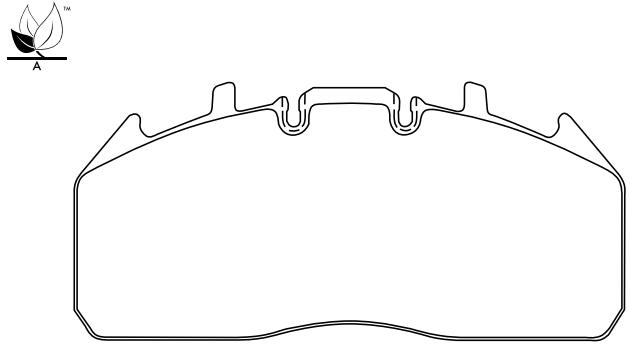
Order Number G0571312350

Detail	Disc Pad Shape
<p>FMSI Number 8427 D1312</p> <p>WVA Number 29090</p> <p>Duty Cycle HEAVY 'OTR/Vocational'</p> <p>Friction Material GLQ350</p> <p>Brake System Meritor D-LISA</p> <p>Hardware Kit Hardware kit included</p>	<p>Width 249.6mm / 9.82"</p> <p>Height 114.5mm / 4.50"</p> <p>Thickness 18.2mm / 0.71"</p> <p>Cross References Meritor 68932068N2P, MDP5019, MDP5025, MDP5042, MDP5061, MMD1312AF</p> 

Order Number G0571323330

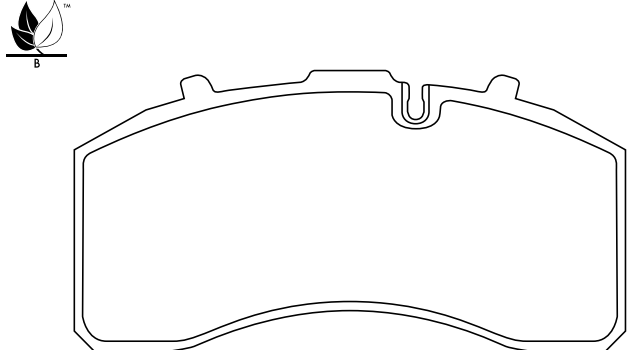
Detail	Disc Pad Shape
<p>FMSI Number 8435 D1323</p> <p>WVA Number 29188</p> <p>Duty Cycle STANDARD 'Over The Road'</p> <p>Friction Material GLQ330</p> <p>Brake System Meritor EX225 H3</p> <p>Hardware Kit Hardware kit included</p>	<p>Width 246.9mm / 9.72"</p> <p>Height 114.2mm / 4.49"</p> <p>Thickness 29.4mm / 1.15"</p> <p>Cross References Meritor Kit225H- 3BE, Kit225H3CE, MMD1323AF</p> 

Order Number G0571323350

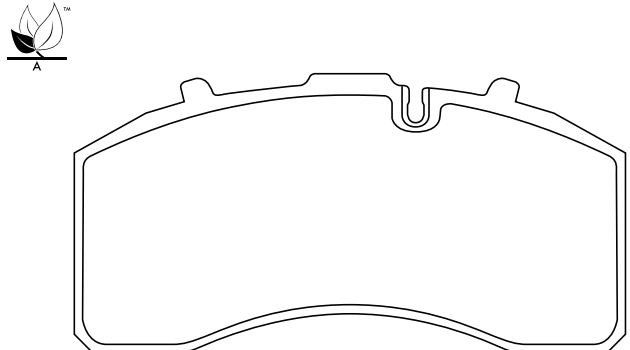
Detail		Disc Pad Shape
<p>FMSI Number 8435 D1323</p> <p>WVA Number 29188</p> <p>Duty Cycle HEAVY 'OTR/Vocational'</p> <p>Friction Material GLQ350</p> <p>Brake System Meritor EX225 H3</p> <p>Hardware Kit Hardware kit included</p>	<p>Width 246.9mm / 9.72"</p> <p>Height 114.2mm / 4.49"</p> <p>Thickness 29.4mm / 1.15"</p> <p>Cross References Meritor Kit225H-3BE, Kit225H3CE, MMD1323AF</p>	

DISC BRAKE PADS

Order Number G0571369330

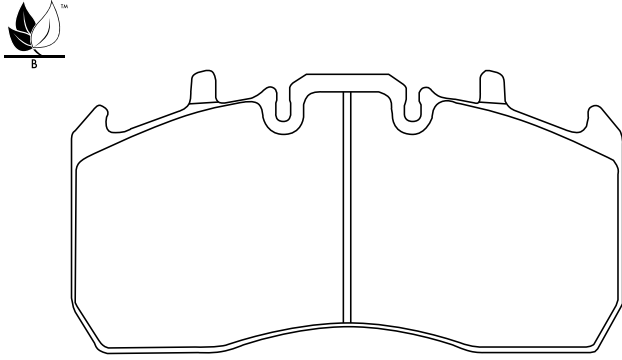
Detail		Disc Pad Shape
<p>FMSI Number 8479 D1369</p> <p>WVA Number 29158</p> <p>Duty Cycle STANDARD 'Over The Road'</p> <p>Friction Material GLQ330</p> <p>Brake System Knorr SK7000; Bendix ADB225</p> <p>Hardware Kit Hardware kit included</p>	<p>Width 210.7mm / 8.29"</p> <p>Height 108.5mm / 4.27"</p> <p>Thickness 30mm / 1.18"</p> <p>Cross References Bendix 802078, K070796, Meritor MMD 1369AF</p>	

Order Number G0571369350

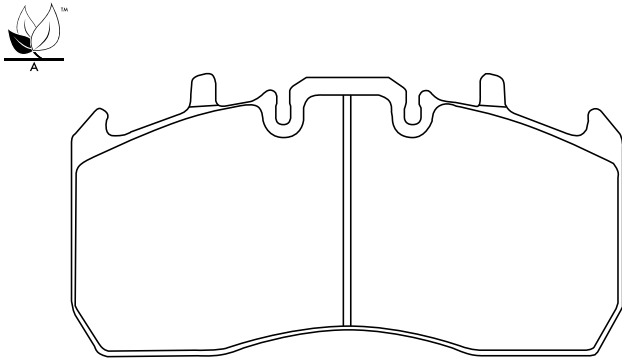
Detail		Disc Pad Shape
<p>FMSI Number 8479 D1369</p> <p>WVA Number 29158</p> <p>Duty Cycle HEAVY 'OTR/Vocational'</p> <p>Friction Material GLQ350</p> <p>Brake System Knorr SK7000; Bendix ADB225</p> <p>Hardware Kit Hardware kit included</p>	<p>Width 210.7mm / 8.29"</p> <p>Height 108.5mm / 4.27"</p> <p>Thickness 30mm / 1.18"</p> <p>Cross References Bendix 802078, K070796, Meritor MMD 1369AF</p>	

Order Number G0571370330

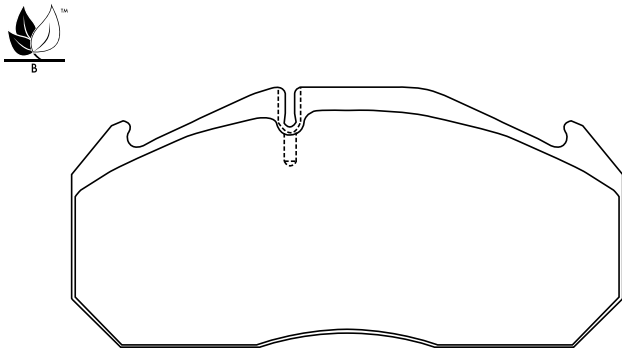
DISC BRAKE PADS

Detail	Disc Pad Shape
<p>FMSI Number 8480 D1370</p> <p>WVA Number 29189</p> <p>Duty Cycle STANDARD 'Over The Road'</p> <p>Friction Material GLQ330</p> <p>Brake System Meritor EX225 L2</p> <p>Hardware Kit Hardware kit included</p>	<p>Width 216.1mm / 8.50"</p> <p>Height 108.8mm / 4.38"</p> <p>Thickness 29mm / 1.14"</p> <p>Cross References Meritor Kit2252L2CD, MMD1370AF</p> 

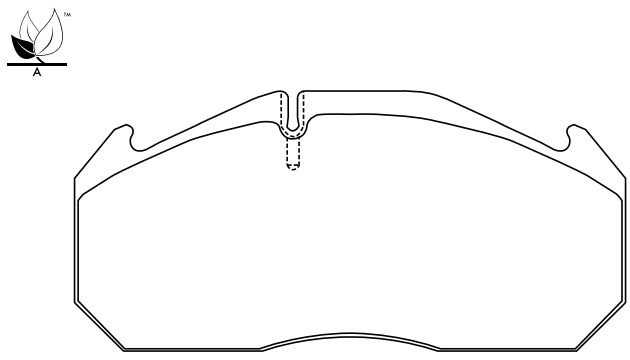
Order Number G0571370350

Detail	Disc Pad Shape
<p>FMSI Number 8480 D1370</p> <p>WVA Number 29189</p> <p>Duty Cycle HEAVY 'OTR/Vocational'</p> <p>Friction Material GLQ350</p> <p>Brake System Meritor EX225 L2</p> <p>Hardware Kit Hardware kit included</p>	<p>Width 216.1mm / 8.50"</p> <p>Height 108.8mm / 4.38"</p> <p>Thickness 29mm / 1.14"</p> <p>Cross References Meritor Kit2252L2CD, MMD1370AF</p> 

Order Number G0571407330

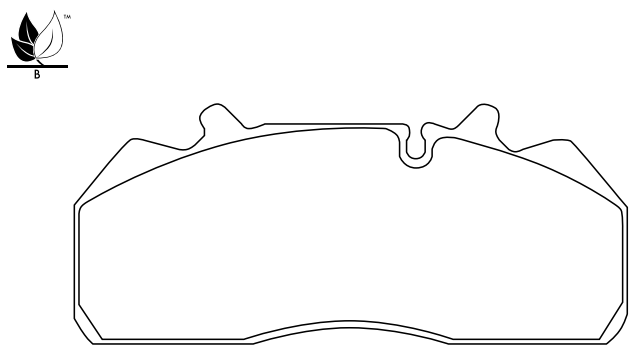
Detail	Disc Pad Shape
<p>FMSI Number 8515 D1407</p> <p>WVA Number 29030</p> <p>Duty Cycle STANDARD 'Over The Road'</p> <p>Friction Material GLQ330</p> <p>Brake System Meritor D-3</p> <p>Hardware Kit Hardware kit included</p>	<p>Width 249.7mm / 9.83"</p> <p>Height 118.2mm / 4.65"</p> <p>Thickness 28mm / 1.10"</p> <p>Cross References Meritor 68325023, 68325166, 68325011, MMD1407AF</p> 

Order Number G0571407350

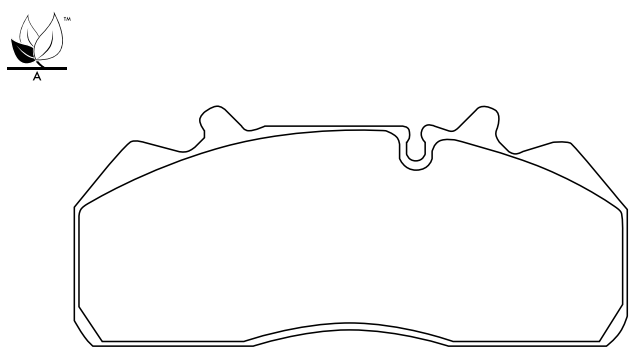
Detail	Disc Pad Shape
<p>FMSI Number 8515 D1407</p> <p>WVA Number 29030</p> <p>Duty Cycle HEAVY 'OTR/Vocational'</p> <p>Friction Material GLQ350</p> <p>Brake System Meritor D-3</p> <p>Hardware Kit Hardware kit included</p>	<p>Width 249.7mm / 9.83"</p> <p>Height 118.2mm / 4.65"</p> <p>Thickness 28mm / 1.10"</p> <p>Cross References Meritor 68325023, 68325166, 68325011, MMD1407AF</p> 

DISC BRAKE PADS

Order Number G0571438330

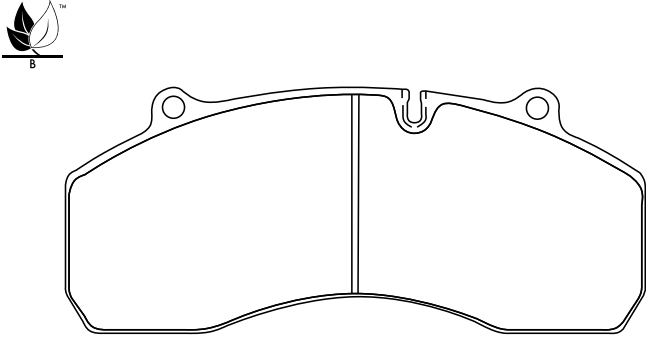
Detail	Disc Pad Shape
<p>FMSI Number 8556 D1438F</p> <p>WVA Number 29159</p> <p>Duty Cycle STANDARD 'Over The Road'</p> <p>Friction Material GLQ330</p> <p>Brake System Wabco PAN19</p> <p>Hardware Kit Hardware kit included</p>	<p>Width 210.4mm / 8.28"</p> <p>Height 92.4mm / 3.63"</p> <p>Thickness 29.7mm / 1.16"</p> <p>Cross References Meritor MMD1428AF, Mack 261112999747VT</p> 

Order Number G0571438350

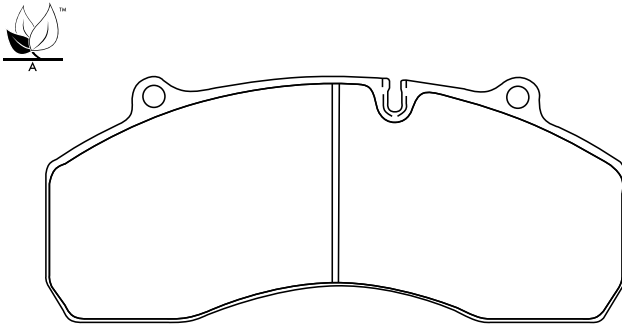
Detail	Disc Pad Shape
<p>FMSI Number 8556 D1438F</p> <p>WVA Number 29159</p> <p>Duty Cycle HEAVY 'OTR/Vocational'</p> <p>Friction Material GLQ350</p> <p>Brake System Wabco PAN19</p> <p>Hardware Kit Hardware kit included</p>	<p>Width 210.4mm / 8.28"</p> <p>Height 92.4mm / 3.63"</p> <p>Thickness 29.7mm / 1.16"</p> <p>Cross References Meritor MMD1428AF, Mack 261112999747VT</p> 

Order Number G0571441330

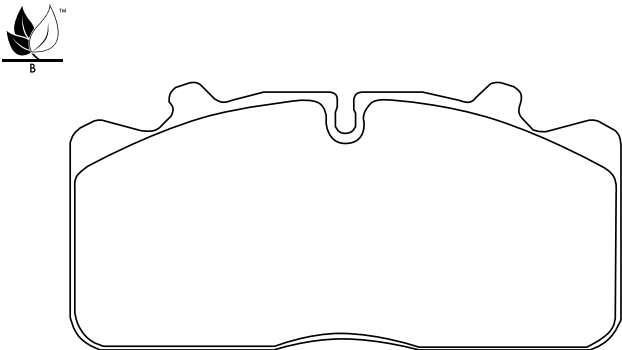
DISC BRAKE PADS

Detail	Disc Pad Shape
<p>FMSI Number 8577 D 1441</p> <p>WVA Number 29120</p> <p>Duty Cycle STANDARD 'Over The Road'</p> <p>Friction Material GLQ330</p> <p>Brake System Bendix ESD225</p> <p>Hardware Kit Hardware kit included</p>	<p>Width 244.4mm / 9.74"</p> <p>Height 105mm / 4.13"</p> <p>Thickness 30mm / 1.18"</p> <p>Cross References Bendix 976003N</p> 

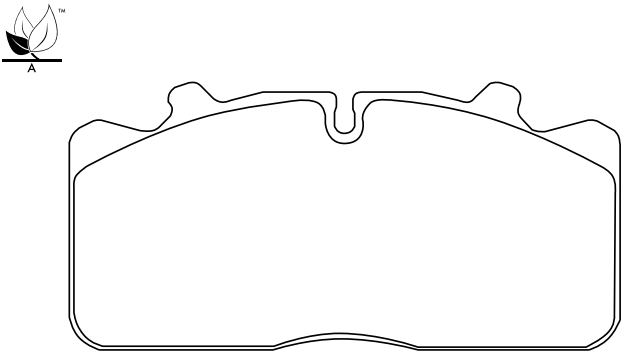
Order Number G0571441350

Detail	Disc Pad Shape
<p>FMSI Number 8577 D 1441</p> <p>WVA Number 29120</p> <p>Duty Cycle HEAVY 'OTR/Vocational'</p> <p>Friction Material GLQ350</p> <p>Brake System Bendix ESD225</p> <p>Hardware Kit Hardware kit included</p>	<p>Width 244.4mm / 9.74"</p> <p>Height 105mm / 4.13"</p> <p>Thickness 30mm / 1.18"</p> <p>Cross References Bendix 976003N</p> 

Order Number G0571518330

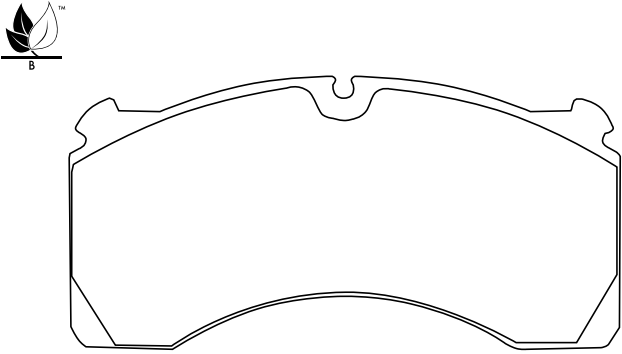
Detail	Disc Pad Shape
<p>FMSI Number 8727 D1518</p> <p>WVA Number 29088</p> <p>Duty Cycle STANDARD 'Over The Road'</p> <p>Friction Material GLQ330</p> <p>Brake System Wabco PAN17</p> <p>Hardware Kit Hardware kit included</p>	<p>Width 175.5mm / 6.90"</p> <p>Height 82mm / 3.22"</p> <p>Thickness 26mm / 1.02"</p> <p>Cross References Wabco 12 999 806, 12 999703VT, Meritor MMD1518AF, Mack Truck 21112999703VT, DAF 1436901</p> 

Order Number G0571518350

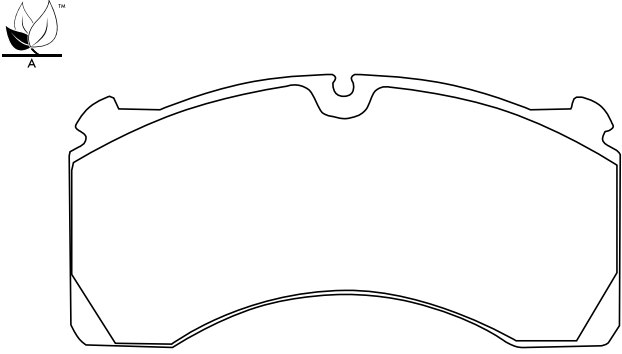
Detail	Disc Pad Shape
<p>FMSI Number 8727 D1518</p> <p>WVA Number 29088</p> <p>Duty Cycle HEAVY 'OTR/Vocational'</p> <p>Friction Material GLQ350</p> <p>Brake System Wabco PAN17</p> <p>Hardware Kit Hardware kit included</p>	<p>Width 175.5mm / 6.90"</p> <p>Height 82mm / 3.22"</p> <p>Thickness 26mm / 1.02"</p> <p>Cross References Wabco 12 999 806, 12 999703VT, Meritor MMD1518AF, Mack Truck 21112999703VT, DAF 1436901</p> 

DISC BRAKE PADS

Order Number G0571525330

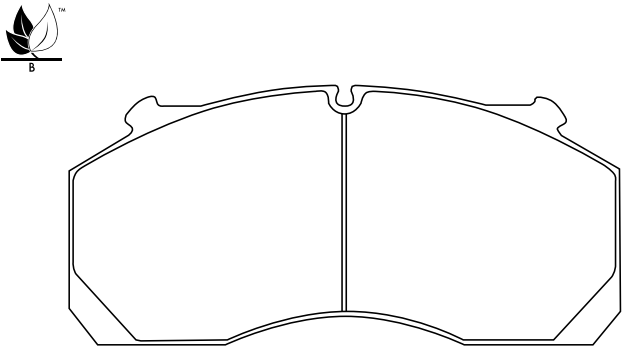
Detail	Disc Pad Shape
<p>FMSI Number 8733 D1525</p> <p>WVA Number 29124</p> <p>Duty Cycle STANDARD 'Over The Road'</p> <p>Friction Material GLQ330</p> <p>Brake System Meritor DX195</p> <p>Hardware Kit Hardware kit included</p>	<p>Width 205.4mm / 8.08"</p> <p>Height 102mm / 4.01"</p> <p>Thickness 27mm / 1.06"</p> <p>Cross References Meritor 15224835, 15224835A</p> 

Order Number G0571525350

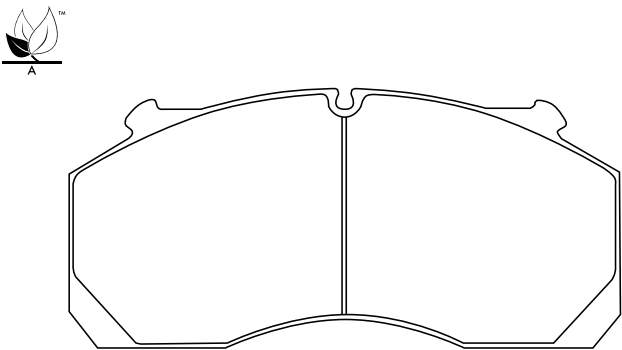
Detail	Disc Pad Shape
<p>FMSI Number 8733 D1525</p> <p>WVA Number 29124</p> <p>Duty Cycle HEAVY 'OTR/Vocational'</p> <p>Friction Material GLQ350</p> <p>Brake System Meritor DX195</p> <p>Hardware Kit Hardware kit included</p>	<p>Width 205.4mm / 8.08"</p> <p>Height 102mm / 4.01"</p> <p>Thickness 27mm / 1.06"</p> <p>Cross References Meritor 15224835, 15224835A</p> 

Order Number G0571526330

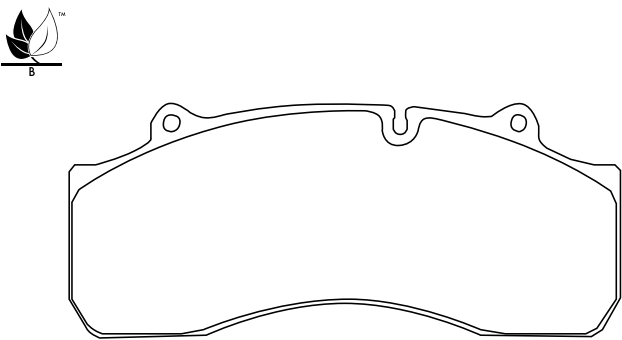
DISC BRAKE PADS

Detail	Disc Pad Shape
<p>FMSI Number 8734 D1526</p> <p>WVA Number 29150</p> <p>Duty Cycle STANDARD 'Over The Road'</p> <p>Friction Material GLQ330</p> <p>Brake System Meritor DX225</p> <p>Hardware Kit Hardware kit included</p>	<p>Width 249mm / 9.08"</p> <p>Height 112.4mm / 4.42"</p> <p>Thickness 30mm / 1.18"</p> <p>Cross References Meritor MMD1526 AF</p> 

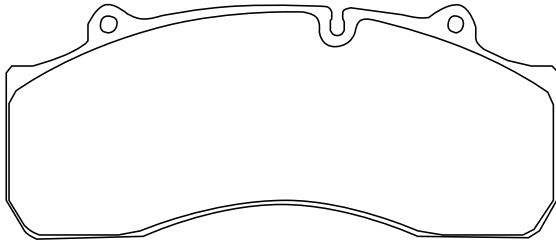
Order Number G0571526350

Detail	Disc Pad Shape
<p>FMSI Number 8734 D1526</p> <p>WVA Number 29150</p> <p>Duty Cycle HEAVY 'OTR/Vocational'</p> <p>Friction Material GLQ350</p> <p>Brake System Meritor DX225</p> <p>Hardware Kit Hardware kit included</p>	<p>Width 249mm / 9.08"</p> <p>Height 112.4mm / 4.42"</p> <p>Thickness 30mm / 1.18"</p> <p>Cross References Meritor MMD1526 AF</p> 

Order Number G0571527330

Detail	Disc Pad Shape
<p>FMSI Number 8735 D1527</p> <p>WVA Number 29143</p> <p>Duty Cycle STANDARD 'Over The Road'</p> <p>Friction Material GLQ330</p> <p>Brake System Haldex DB22</p> <p>Hardware Kit Hardware kit included</p>	<p>Width 179.8mm / 7.07"</p> <p>Height 106mm / 4.17"</p> <p>Thickness 20mm / 0.78"</p> <p>Cross References Haldex 79022008, 79022031, 91567, Meritor MMD1527AF</p> 

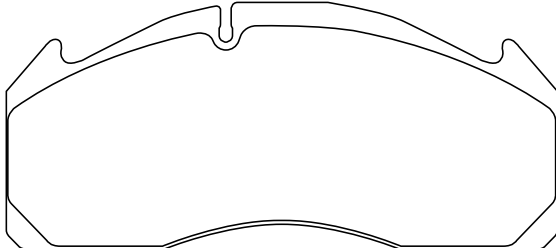
Order Number G0571527350

Detail	Disc Pad Shape
<p>FMSI Number 8735 D1527</p> <p>WVA Number 29143</p> <p>Duty Cycle HEAVY 'OTR/Vocational'</p> <p>Friction Material GLQ350</p> <p>Brake System Haldex DB22</p> <p>Hardware Kit Hardware kit included</p>	<p>Width 179.8mm / 7.07"</p> <p>Height 106mm / 4.17"</p> <p>Thickness 20mm / 0.78"</p> <p>Cross References Haldex 79022008, 79022031, 91567, Meritor MMD1527AF</p> 



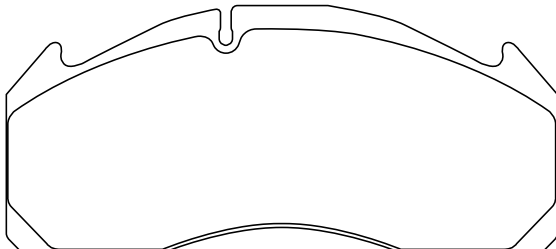
DISC BRAKE PADS

Order Number G0571560330

Detail	Disc Pad Shape
<p>FMSI Number 8771 D1560</p> <p>WVA Number 29125</p> <p>Duty Cycle STANDARD 'Over The Road'</p> <p>Friction Material GLQ330</p> <p>Brake System Meritor D-DUCO</p> <p>Hardware Kit Hardware kit included</p>	<p>Width 249.5mm / 9.82"</p> <p>Height 111mm / 4.37"</p> <p>Thickness 29mm / 1.14"</p> <p>Cross References Meritor MMD1560AF</p> 



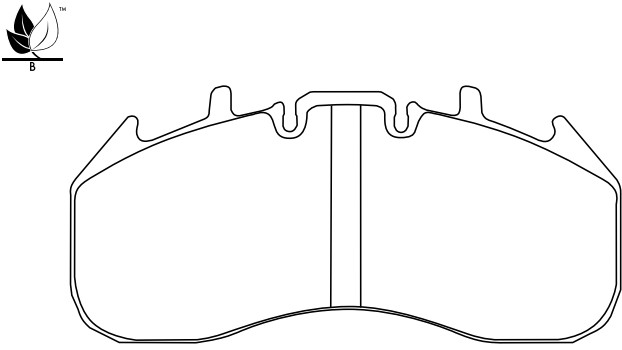
Order Number G0571560350

Detail	Disc Pad Shape
<p>FMSI Number 8771 D1560</p> <p>WVA Number 29125</p> <p>Duty Cycle HEAVY 'OTR/Vocational'</p> <p>Friction Material GLQ350</p> <p>Brake System Meritor D-DUCO</p> <p>Hardware Kit Hardware kit included</p>	<p>Width 249.5mm / 9.82"</p> <p>Height 111mm / 4.37"</p> <p>Thickness 29mm / 1.14"</p> <p>Cross References Meritor MMD1560AF</p> 

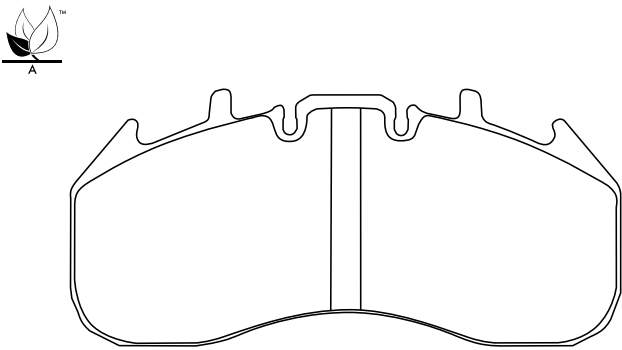


Order Number G0571690330

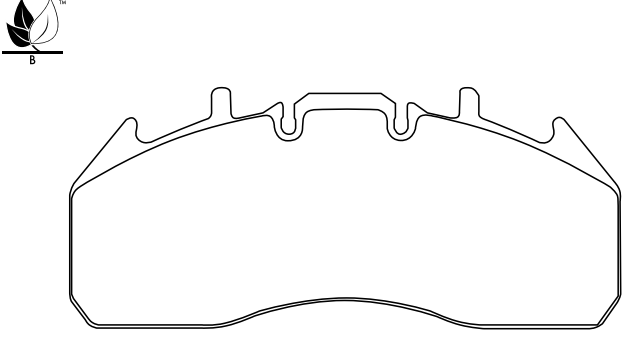
DISC BRAKE PADS

Detail	Disc Pad Shape
<p>FMSI Number 8917 D1690</p> <p>WVA Number N/A</p> <p>Duty Cycle STANDARD 'Over The Road'</p> <p>Friction Material GLQ330</p> <p>Brake System Meritor EX225H2</p> <p>Hardware Kit Hardware kit included</p>	<p>Width 249.7mm / 9.83"</p> <p>Height 116.6mm / 4.59"</p> <p>Thickness 29.4mm / 1.15"</p> <p>Cross References Meritor 322-E-2605, Kit2252H2BA, MMD1690AF</p> 

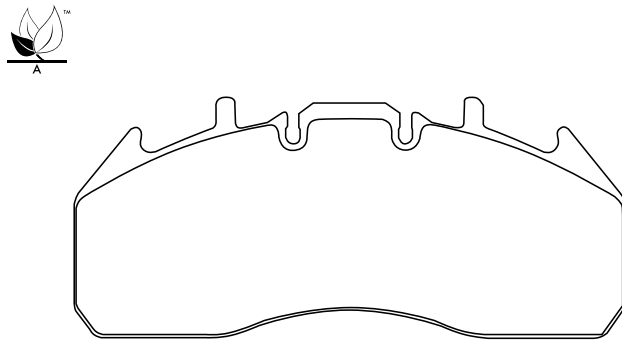
Order Number G0571690350

Detail	Disc Pad Shape
<p>FMSI Number 8917 D1690</p> <p>WVA Number N/A</p> <p>Duty Cycle HEAVY 'OTR/Vocational'</p> <p>Friction Material GLQ350</p> <p>Brake System Meritor EX225H2</p> <p>Hardware Kit Hardware kit included</p>	<p>Width 249.7mm / 9.83"</p> <p>Height 116.6mm / 4.59"</p> <p>Thickness 29.4mm / 1.15"</p> <p>Cross References Meritor 322-E-2605, Kit2252H2BA, MMD1690AF</p> 

Order Number G0571708330

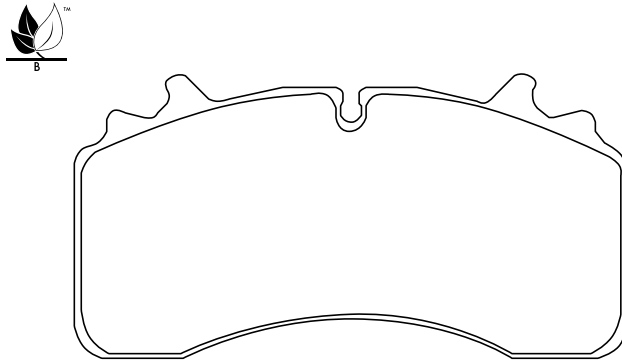
Detail	Disc Pad Shape
<p>FMSI Number 8931 D1708</p> <p>WVA Number 29174</p> <p>Duty Cycle STANDARD 'Over The Road'</p> <p>Friction Material GLQ330</p> <p>Brake System Meritor ELSA 225-3</p> <p>Hardware Kit Hardware kit included</p>	<p>Width 249.5mm / 9.82"</p> <p>Height 107.2mm / 4.22"</p> <p>Thickness 29.2mm / 1.14"</p> <p>Cross References Volvo 21024702, Meritor MMD1708AF</p> 

Order Number G0571708350

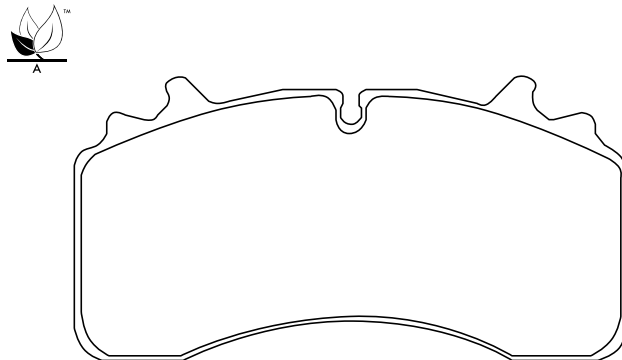
Detail		Disc Pad Shape
<p>FMSI Number 8931 D1708</p> <p>WVA Number 29174</p> <p>Duty Cycle HEAVY 'OTR/Vocational'</p> <p>Friction Material GLQ350</p> <p>Brake System Meritor ELSA 225-3</p> <p>Hardware Kit Hardware kit included</p>	<p>Width 249.5mm / 9.82"</p> <p>Height 107.2mm / 4.22"</p> <p>Thickness 29.2mm / 1.14"</p> <p>Cross References Volvo 21024702, Meritor MMD1708AF</p>	

DISC BRAKE PADS

Order Number G0571777330


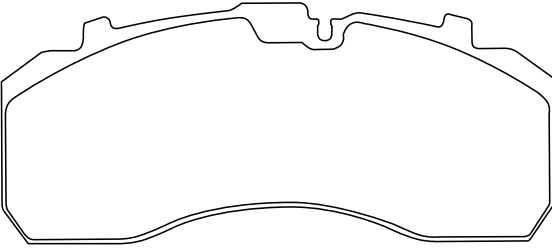
Detail		Disc Pad Shape
<p>FMSI Number 8253 D1777</p> <p>WVA Number 29162</p> <p>Duty Cycle STANDARD 'Over The Road'</p> <p>Friction Material GLQ330</p> <p>Brake System Wabco PAN22</p> <p>Hardware Kit Hardware kit included</p>	<p>Width 210.2mm / 8.27"</p> <p>Height 109.3mm / 4.30"</p> <p>Thickness 31mm / 1.22"</p> <p>Cross References Hendrickson MAXX 22, Hendrickson S-32676-1</p>	

Order Number G0571777350


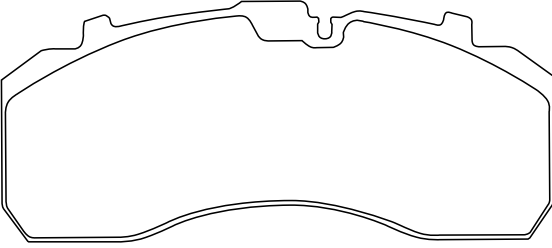
Detail		Disc Pad Shape
<p>FMSI Number 8253 D1777</p> <p>WVA Number 29162</p> <p>Duty Cycle HEAVY 'OTR/Vocational'</p> <p>Friction Material GLQ350</p> <p>Brake System Wabco PAN22</p> <p>Hardware Kit Hardware kit included</p>	<p>Width 210.2mm / 8.27"</p> <p>Height 109.3mm / 4.30"</p> <p>Thickness 31mm / 1.22"</p> <p>Cross References Hendrickson MAXX 22, Hendrickson S-32676-1</p>	

Order Number G0579253330

DISC BRAKE PADS

Detail		Disc Pad Shape	
<p>FMSI Number N/A</p> <p>WVA Number 29253</p> <p>Duty Cycle STANDARD 'Over The Road'</p> <p>Friction Material GLQ330</p> <p>Brake System Knorr Protec SB7000</p> <p>Hardware Kit Hardware kit included</p>	<p>Width 247.5mm / 9.74"</p> <p>Height 108mm / 4.25"</p> <p>Thickness 30mm / 1.18"</p> <p>Cross References</p>		

Order Number G0579253350

Detail		Disc Pad Shape	
<p>FMSI Number N/A</p> <p>WVA Number 29253</p> <p>Duty Cycle HEAVY 'OTR/Vocational'</p> <p>Friction Material GLQ350</p> <p>Brake System Knorr Protec SB7000</p> <p>Hardware Kit Hardware kit included</p>	<p>Width 247.5mm / 9.74"</p> <p>Height 108mm / 4.25"</p> <p>Thickness 30mm / 1.18"</p> <p>Cross References</p>		

COMMERCIAL VEHICLE
AIR DISC BRAKE ROTORS

DISC BRAKE ROTORS



AIR DISC BRAKE ROTORS

Gold Line Quality Parts™ has the most complete offering of Commercial Vehicle (C.V) Brake Discs/Rotors in the USA.

All our Brake Rotors are made at ISO / TS16949 certified manufacturing facilities where strict controls at all levels of the production process take place, especially those having an impact in the Rotor's thermal fatigue capabilities, corrosion resistance in the ABS teeth areas, among others, to deliver Rotors of exceptional quality.

AIR DISC BRAKE ROTOR TESTING

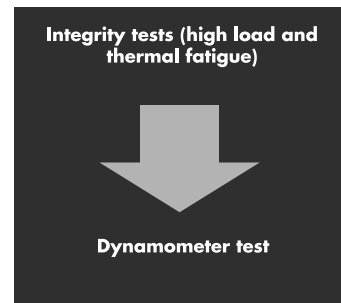
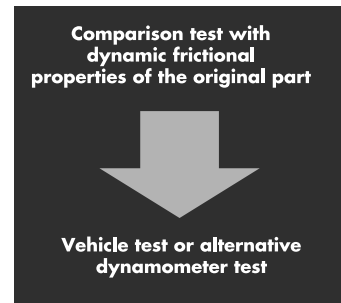
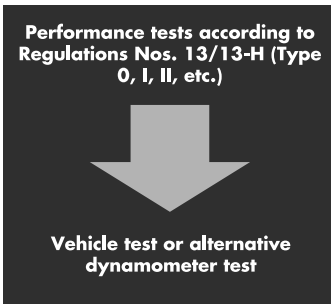
"Interchangeable brake disc" is a replacement brake disc which has the same interface dimensions as the original brake disc but may differ from the original brake disc in terms of its design, material composition and mechanical properties.

INTERCHANGEABLE BRAKE DISCS HAVE TO PASS THE FOLLOWING TESTS

CHECK / TEST LIST

- **Geometric check**
(The critical dimensions are measured to ensure the brake disc conforms to the tolerances required to provide a safe and effective brake)
- **Material check**
(The chemical composition, microstructure and hardness are measured)
- **Balancing provisions check**
(The balance of the disc is checked and compared to the OE part)
- **Wear condition marking**
(Wear markings and minimum thickness specifications are checked with the OE part)
- **Integrity test - thermal fatigue**
- **Integrity test - high load**
- **Service brake vehicle performance test.**

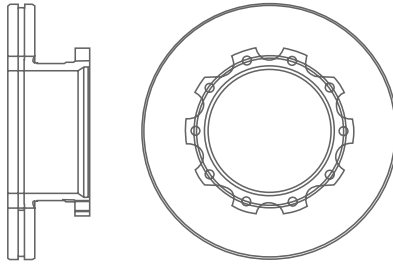
FULLY TESTED TO EXACTING GLOBAL STANDARDS
COMPREHENSIVE COMPETITOR DATA BENCHMARKING
FULL SUITE OF TEST DATA AVAILABLE



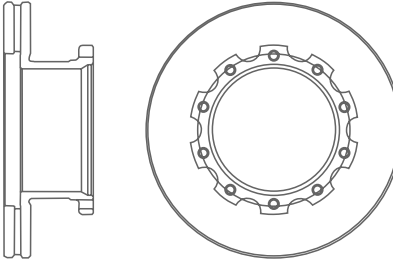
DISC BRAKE ROTOR CROSS REFERENCES

Goldline Part	Caliper	Application	OEM	Cross References
G0796618000	SK7	29Front- FL Century and Columbia 2010 to Present	-	Meritor M44D76618, Bendix 802081
G0796617000	SK7	FL, Mack, Volvo Front	-	Meritor M44D76617, Bendix 802082
G0796612000	SB7	Nova Bus	-	Meritor M44D76612, Bendix K021958, Webb 55060P,
G0796692000	SK7	PACCAR Front	-	Meritor M44D76692, Bendix 802569, 802083, Conmet 100025445
G0796603000	SB7	Bendix, Prevost Front & Tag Axles	Prevost 611188, 611456	Meritor M44D76603, Bendix II37415N
G0793547000	SB7	Meritor, MCI E Bus All Axles	MCI 15-02-1010	Meritor 123547, 23-123547-002, 3218Z1404
G0796014000	EX225	MCI J&D Bus Front & Tag	MCI 15-02-1067	Meritor 68326014, Webb 54220P, 54220F
G0796604000	SB7	Bendix, Prevost Drive Axle	Prevost 611457, 621672	Meritor M44D6604, Bendix K021959, II37986, Webb 56050F
G0796642000	SK7	Bendix OTR Calipers	-	Meritor M44D76642, Bendix K034497BXW, Z000557
G0799016000	SB7	Van Hool Drive Axles	Van Hool 10721062, 10977055	Meritor MBR9016, 68323736, 68325977
G0796641000	SB7	Prevost Front and Tag	Prevost 611300	Meritor M44D76641, Bendix 802669, Webb 55080P
G0793642000	EX225	MCI J&D Bus Drive Axle	MCI 15-03-1012	Meritor 23-123642-002, Webb 55060P, 55060F
G0791601000	Pan 19	Trailers Axles up to 19,500# GAWR	-	Meritor M44D71601, Wabco CT832
G0795180000	Pan 17	Trailers Axles up to 15,500# GAWR	-	Meritor M44AD75180, Wabco CT826
G0795011000	SB7	Van Hool Front & Tag Axles	Van Hool N508030009	Meritor MBR5011, MBR5034, Bendix 567400B
G0793647000	EX225	Meritor & NABI/Gillig Bus	-	Meritor 23-123647-002, Webb 55070P, 55070F
G0795016000	SB7	Setra S417 Front & Tag Axles	Setra 9424212112, 9424230012	Meritor MBR5016HD, Bendix II376380061
G0799013000	D Elsa / D Elsa 2	Van Hool A Bus Drive Axle	Van Hool 11027856	Meritor MBR9013
G0795076000	D Elsa	Setra Front & Tag Axles	Setra 6274210012	Meritor MBR5076, Bendix 5671110B
G0799278000	SB7	Van Hool New Style Drive Axle	Van Hool 11047678	Bendix II39278F, II353913
G0796613000	Pan 22	Pan 22	-	Meritor M44D76613, MBR5801, Wabco CT807
G0795128000	SB7	Setra Drive	Setra 9434210312	Meritor MBR5128
G0795035000	D Elsa / D Elsa 2	New Flyer	New Flyer 6359347	Meritor MBR5035, MBR5036, MBR5068
G0796621000	SB7	Van Hool & New Flyer	Van Hool N508030038, N508030040, New Flyer 6347297	Meritor M44D76621, MBR5057
G0793803000	EX225	Volvo, Vented	Volvo 20428193, 85103803, 85110496	-
G0791042000	EX225	Volvo, Solid	Volvo 3988838, 3092710, 8551042	-
G0790682000	MAXXUS	MAXXUS Caliper	-	ConMet 10020682

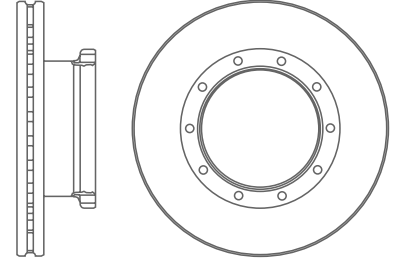
Order Number G0796618000

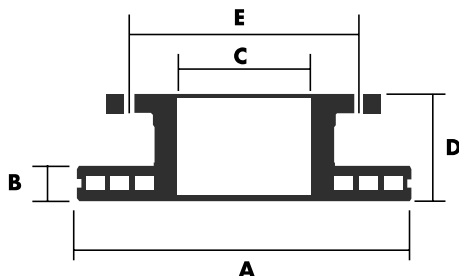
Detail	Dimensions	Rotor Side / Top View
Caliper SK7 Applications Front- FL Century and Columbia 2010 to Present OEM Number - Cross References Meritor M44D76618, Bendix 802081	Diameter 430mm / 16.929" Thickness 45mm / 1.77" Min Thickness 37mm / 1.457" Register 220mm / 8.66" Height 138.2mm / 5.44" PCD 249.5mm / 9.823" Stud Holes 10x5/8 Weight 33.6Kg / 74.08lbs	 <p>*Bolts Included</p>

Order Number G0796617000

Detail	Dimensions	Rotor Side / Top View
Caliper SK7 Applications FL, Mack, Volvo Front OEM Number - Cross References Meritor M44D76617, Bendix 802082	Diameter 430mm / 16.929" Thickness 45mm / 1.77" Min Thickness 37mm / 1.457" Register 220mm / 8.66" Height 150mm / 5.906" PCD 249.5mm / 9.823" Stud Holes 10x5/8 Weight 34.3Kg / 75.62lbs	 <p>*Bolts Included</p>

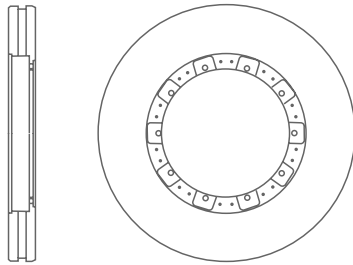
Order Number G0796612000

Detail	Dimensions	Rotor Side / Top View
Caliper SB7 Applications Nova Bus OEM Number - Cross References Meritor M44D76612, Bendix K021958, Webb 55060P, K021958	Diameter 430mm / 16.929" Thickness 45mm / 1.77" Min Thickness 37mm / 1.457" Register 203mm / 7.992" Height 131mm / 5.157" PCD 235mm / 9.25" Stud Holes 10xM16 Weight 34Kg / 74.96lbs	

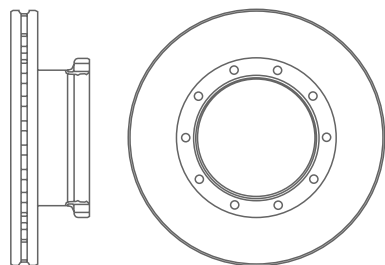


- A - DIAMETER**
- B - THICKNESS**
- C - REGISTER**
- D - HEIGHT**
- E - PCD**

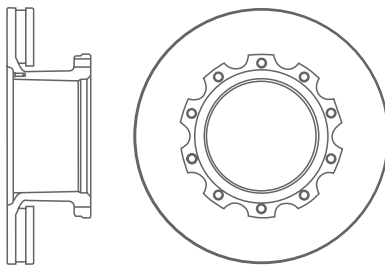
Order Number G0796692000

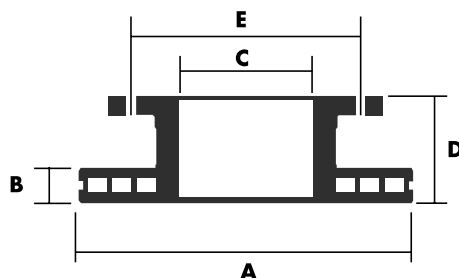
Detail	Dimensions	Rotor Side / Top View
Caliper SK7 Applications PACCAR Front OEM Number - Cross References Meritor M44D76692, Bendix 802569, 802083, Conmet 100025445	Diameter 430mm / 16.929" Thickness 45mm / 1.77" Min Thickness 37mm / 1.457" Register 217mm / 8.543" Height 45mm / 1.77" PCD 230mm / 9.06" Stud Holes 10x8.5 (0.3346) Weight 27Kg / 59.52lbs	 <p>* Mounting Kit Included</p>

Order Number G0796603000

Detail	Dimensions	Rotor Side / Top View
Caliper SB7 Applications Bendix, Provoost Front & Tag Axles OEM Number Prevost 611188 611456 Cross References Meritor M44D76603, Bendix IJ37415N	Diameter 430mm / 16.929" Thickness 45mm / 1.77" Min Thickness 37mm / 1.457" Register 194mm / 7.638" Height 136mm / 5.35" PCD 220mm / 8.66" Stud Holes 10xM16 Weight 37Kg / 81.57lbs	

Order Number G0793547000

Detail	Dimensions	Rotor Side / Top View
Caliper SB7 Applications Meritor, MCI E Bus All Axles OEM Number MCI 15-02-1010 Cross References Meritor 123547, 23123547002, 3218Z1404	Diameter 438mm / 17.244" Thickness 44.5mm / 1.752" Min Thickness 41mm / 1.614" Register 194mm / 7.638" Height 143.3mm / 5.642" PCD 249.5mm / 9.82" Stud Holes 10x5/8 Weight 38.8Kg / 85.54lbs	



- A - DIAMETER**
- B - THICKNESS**
- C - REGISTER**
- D - HEIGHT**
- E - PCD**

DISC BRAKE ROTORS

Order Number G0796014000

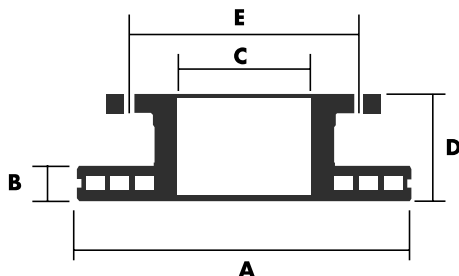
Detail	Dimensions	Rotor Side / Top View
Caliper EX225 Applications MCI J&D Bus Front & Tag OEM Number MCI 15-02-1067 Cross References Meritor 68326014, Webb 54220P, 54220F	Diameter 434mm / 17.087" Thickness 44.9mm / 1.77" Min Thickness 41.5mm / 1.634" Register 135mm / 5.32" Height 131.7mm / 5.18" PCD 167.9mm / 6.61" Stud Holes 12x19 (0.75) Weight 35.3Kg / 77.82lbs	<p>* ABS Ring</p>

Order Number G0796604000

Detail	Dimensions	Rotor Side / Top View
Caliper SB7 Applications Bendix, Provest Drive Axle OEM Number Provest 611457 621672 Cross References Meritor M44D6604, Bendix K021959, I137986, Webb 56050F	Diameter 430mm / 16.929" Thickness 45mm / 1.77" Min Thickness 41mm / 1.614" Register 194mm / 7.64" Height 179.7mm / 7.08" PCD 250mm / 9.84" Stud Holes 10x5/8 Weight 45Kg / 99.21lbs	

Order Number G0796642000

Detail	Dimensions	Rotor Side / Top View
Caliper SK7 Applications Bendix OTR Calipers OEM Number Alexander Dennis 658470/39 Cross References Meritor M44D76642, Bendix K034497BXW, Z000557	Diameter 430mm / 16.929" Thickness 45mm / 1.77" Min Thickness 37mm / 1.457" Register 135mm / 5.31" Height 105mm / 4.134" PCD 165mm / 6.5" Stud Holes 14x15(0.59) Weight 30.5Kg / 67.24lbs	



- A - DIAMETER**
- B - THICKNESS**
- C - REGISTER**
- D - HEIGHT**
- E - PCD**

Order Number G0799016000

Detail	Dimensions	Rotor Side / Top View
Caliper SB7 Applications Van Hool Drive Axles OEM Number Van Hool 10721062, 10977055 Cross References Meritor MBR9016 , 68323736, 68325977	Diameter 434mm / 17.09" Thickness 45mm / 1.77" Min Thickness 37mm / 1.457" Register 194mm / 7.638" Height 135mm / 5.315" PCD 220mm / 8.66" Stud Holes 10xM16 Weight 39Kg / 85.98lbs	

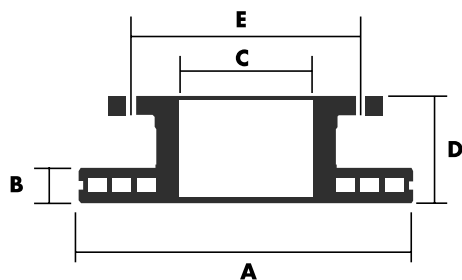
Order Number G0796641000

Detail	Dimensions	Rotor Side / Top View
Caliper SB7 Applications Prevost Front and Tag OEM Number Prevost 611300 Cross References Meritor M44D76641, Ben- dix 802669, Webb 55080P	Diameter 430mm / 16.929" Thickness 45mm / 1.77" Min Thickness 37mm / 1.457" Register 135mm / 5.315" Height 114.7mm / 4.516" PCD 165mm / 6.5" Stud Holes 14x15(0.59) Weight 35.5Kg / 78.26lbs	<p>* ABS Ring</p>

DISC BRAKE ROTORS

Order Number G0793642000

Detail	Dimensions	Rotor Side / Top View
Caliper EX225 Applications MCI J&D Bus Drive Axle OEM Number Alexander Dennis 15-03-1012 Cross References Meritor 23-123642-002, Webb 55060P, 55060F	Diameter 434mm / 17.087" Thickness 45mm / 1.77" Min Thickness 37mm / 1.457" Register 215.9mm / 8.5" Height 143.3mm / 5.64" PCD 266.7mm / 10.5" Stud Holes 10x5/8 Weight 37.1Kg / 81.79lbs	



- A - DIAMETER
- B - THICKNESS
- C - REGISTER
- D - HEIGHT
- E - PCD

Order Number G0791601000

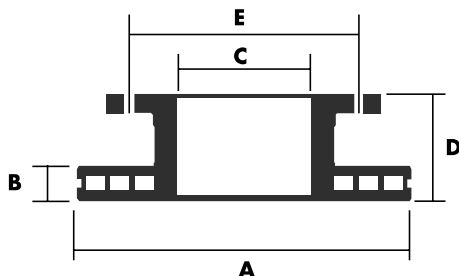
Detail	Dimensions	Rotor Side / Top View
Caliper Pan 19 Applications Trailers Axles up to 19,500# GAWR OEM Number - Cross References Meritor M44D71601, Wabco CT832	Diameter 377.5mm / 14.84" Thickness 45mm / 1.77" Min Thickness 37mm / 1.457" Register 220mm / 8.66" Height 150mm / 5.94" PCD 249.5mm / 9.82" Stud Holes 10xM16 Weight 26.8Kg / 59.08lbs	<p>* ABS Ring</p>

Order Number G0795180000

Detail	Dimensions	Rotor Side / Top View
Caliper Pan 17 Applications Trailers Axles up to 15,500# GAWR OEM Number - Cross References Meritor M44AD75180, Wabco CT826	Diameter 325mm / 12.8" Thickness 34mm / 1.34" Min Thickness 28mm / 1.1" Register 173mm / 6.81" Height 148.5mm / 5.85" PCD 196mm / 7.72" Stud Holes 8xM14 Weight 18.2Kg / 40.12lbs	

Order Number G0795011000

Detail	Dimensions	Rotor Side / Top View
Caliper SB7 Applications Van Hool Front & Tag Axles OEM Number Van Hool N508030009 Cross References Meritor MBR5011, MBR5034, Bendix 567400B	Diameter 438mm / 17.244" Thickness 45mm / 1.77" Min Thickness 37mm / 1.457" Register 200mm / 7.87" Height 135mm / 5.3" PCD 235mm / 9.25" Stud Holes 10xM16 Weight 36Kg / 79.37lbs	



- A - DIAMETER
- B - THICKNESS
- C - REGISTER
- D - HEIGHT
- E - PCD

Order Number G0793647000

Detail	Dimensions	Rotor Side / Top View
Caliper EX225 Applications Meritor & NABI/Gillig Bus OEM Number - Cross References Meritor 23-123647-002, Webb 55070P, 55070F	Diameter 433.5mm / 17.067" Thickness 45mm / 1.77" Min Thickness 37mm / 1.457" Register 194mm / 7.638" Height 143.35mm / 5.64" PCD 249.2mm / 9.87" Stud Holes 10xM16 Weight 35.2Kg / 77.6lbs	

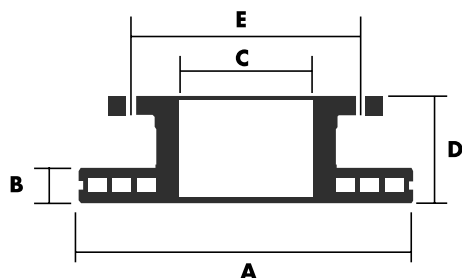
Order Number G0795016000

Detail	Dimensions	Rotor Side / Top View
Caliper SB7 Applications Setra S417 Front & Tag Axles OEM Number Setra 9424212112, 9424230012 Cross References Meritor MBR5016HD, Ben- dix I1376380061	Diameter 430mm / 16.929" Thickness 45mm / 1.77" Min Thickness 37mm / 1.457" Register 211mm / 8.307" Height 132.5mm / 5.217" PCD 238mm / 9.37" Stud Holes 10xM14 Weight 34.4Kg / 75.84lbs	

DISC BRAKE ROTORS

Order Number G0799013000

Detail	Dimensions	Rotor Side / Top View
Caliper D Elsa / D Elsa 2 Applications Van Hool A Bus Drive Axle OEM Number Van Hool 11027856 Cross References Meritor MBR9013	Diameter 434mm / 17.087" Thickness 45mm / 1.77" Min Thickness 39mm / 1.535" Register 203mm / 7.992" Height 130mm / 5.118" PCD 235mm / 9.25" Stud Holes 10xM16 Weight 36.5Kg / 80.47lbs	



- A - DIAMETER
- B - THICKNESS
- C - REGISTER
- D - HEIGHT
- E - PCD

Order Number G0795076000

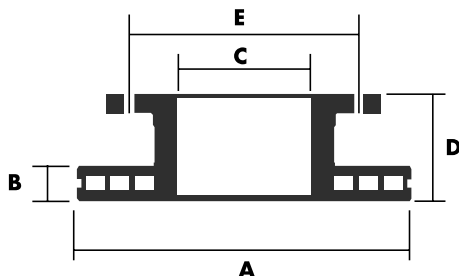
Detail	Dimensions	Rotor Side / Top View
Caliper D Elsa Applications Setra Front & Tag Axles OEM Number Setra 6274210012 Cross References Meritor MBR5076, Bendix 5671110B	Diameter 432mm / 17.008" Thickness 45mm / 1.77" Min Thickness 37mm / 1.457" Register 194mm / 7.638" Height 135mm / 5.315" PCD 220mm / 8.66" Stud Holes 10xM16 Weight 32Kg / 70.55lbs	

Order Number G0799278000

Detail	Dimensions	Rotor Side / Top View
Caliper SB7 Applications Van Hool New Style Drive Axle OEM Number Van Hool 11047678 Cross References Bendix II39278F, II32978F, II39278F	Diameter 430mm / 16.929" Thickness 45mm / 1.77" Min Thickness 37mm / 1.457" Register 203mm / 7.992" Height 131mm / 5.157" PCD 235mm / 9.25" Stud Holes 10xM16 Weight 36.5Kg / 80.47lbs	<p>* ABS Ring</p>

Order Number G0796613000

Detail	Dimensions	Rotor Side / Top View
Caliper Pan 22 Applications Pan 22 OEM Number - Cross References Meritor M44D76613, MBR5801, Wabco CT807	Diameter 430mm / 16.929" Thickness 45mm / 1.77" Min Thickness 37mm / 1.457" Register 219.8mm / 8.654" Height 150.1mm / 5.909" PCD 249.5mm / 9.82" Stud Holes 10xM16 Weight 34.8Kg / 76.72lbs	



- A - DIAMETER**
- B - THICKNESS**
- C - REGISTER**
- D - HEIGHT**
- E - PCD**

Order Number G0795128000

Detail	Dimensions	Rotor Side / Top View
Caliper SB7 Applications Setra Drive OEM Number Setra 9434210312 Cross References Meritor MBR5128	Diameter 430mm / 16.929" Thickness 45mm / 1.77" Min Thickness 37mm / 1.457" Register 131mm / 5.16" Height 144mm / 5.67" PCD 170mm / 6.69" Stud Holes 10x21(0.83) Weight 35.4Kg / 75.84lbs	

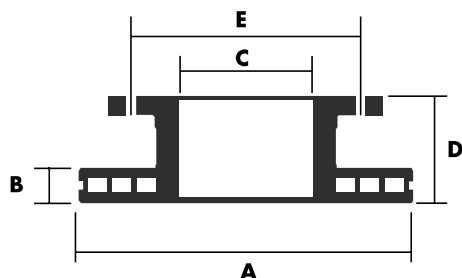
Order Number G0795035000

Detail	Dimensions	Rotor Side / Top View
Caliper D Elsa / D Elsa 2 Applications New Flyer OEM Number New Flyer 6359347 Cross References Meritor MBR5035, MBR5036, MBR5068	Diameter 432mm / 17.008" Thickness 45mm / 1.77" Min Thickness 37mm / 1.457" Register 208mm / 8.19" Height 135mm / 5.315" PCD 235mm / 9.25" Stud Holes 10xM16 Weight 37Kg / 81.57lbs	

DISC BRAKE ROTORS

Order Number G0796621000

Detail	Dimensions	Rotor Side / Top View
Caliper SB7 Applications Van Hool & New Flyer OEM Number Van Hool N508030038, N508030040, New Flyer 6347297 Cross References Meritor M44D76621, MBR5057	Diameter 432mm / 17.008" Thickness 45mm / 1.77" Min Thickness 37mm / 1.457" Register 131mm / 5.157" Height 130mm / 5.118" PCD 168mm / 6.61" Stud Holes 12x19(0.75) Weight 36Kg / 79.37lbs	



- A - DIAMETER
- B - THICKNESS
- C - REGISTER
- D - HEIGHT
- E - PCD

Order Number G0793803000

Detail	Dimensions	Rotor Side / Top View
Caliper EX225 Applications Volvo, Vented OEM Number Volvo 20428193, 85103803, 85110496 Cross References -	Diameter 434mm / 17.05" Thickness 45mm / 1.77" Min Thickness 41mm / 1.614" Register N/A Height 45mm / 1.77" PCD N/A Stud Holes N/A Weight 26Kg / 57.32lbs	

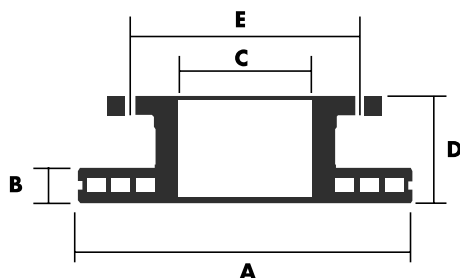
Order Number G0791042000

Detail	Dimensions	Rotor Side / Top View
Caliper EX225 Applications Volvo, Solid OEM Number Volvo 3988838, 3092710, 8551042 Cross References -	Diameter 434mm / 17.05" Thickness 45mm / 1.77" Min Thickness 41mm / 1.614" Register N/A Height 45mm / 1.77" PCD N/A Stud Holes N/A Weight 34.6Kg / 76.28lbs	

Order Number G0790682000

Detail	Dimensions	Rotor Side / Top View
Caliper MAXXUS Applications MAXXUS Caliper OEM Number Cross References ConMet 10020682	Diameter 430mm / 16.929" Thickness 45mm / 1.77" Min Thickness 37mm / 1.457" Register 207mm / 8.15" Height 160mm / 6.3" PCD 205.8mm / 8.1" Stud Holes 10xM16 Weight 37kg / 81.57lbs	

* Bolts Included



- A - DIAMETER
- B - THICKNESS
- C - REGISTER
- D - HEIGHT
- E - PCD

GOLD LINE™

QUALITY PARTS

Call 800-876-3929

Canada 519-537-3494

www.goldlinequalityparts.com

RIGHT QUALITY · RIGHT PRICE · RIGHT AWAY

powered by **SAF** *Holland*

XL-AM20060PM-en-US Rev A